

Measuring up the whiteboard wall

When measuring up a Chameleon Writing Wall there are a number of things to keep in mind.

1. Complete wall cover

If you need to cover the full height and width of the wall a margin of 10 mm must be left on either side (in other words: 20 mm in total). A few examples:

Width of the wall: 5100 mm – 20 mm = a whiteboard wall with a width of 5080 mm

Height of the wall: 2700 mm – 20 mm = a whiteboard wall with a height of 2680 mm

This margin is needed to cope with any small variations in height or width.

Measure the height of the wall at multiple points!

2. Partial wall cover

If you wish partial cover spanning the entire width or height of the wall, please keep the instructions in 1 above in mind. If this is not the case, simply provide us with the final dimensions you require.

3. Functional cut-outs (sockets, displays, openings for control panels, etc.)

The easiest for both parties is when your measurements are done as comprehensively and clearly as possible. Providing us with too many measurements is better than providing us with too few. For functional cut-outs, please clearly provide the following details:

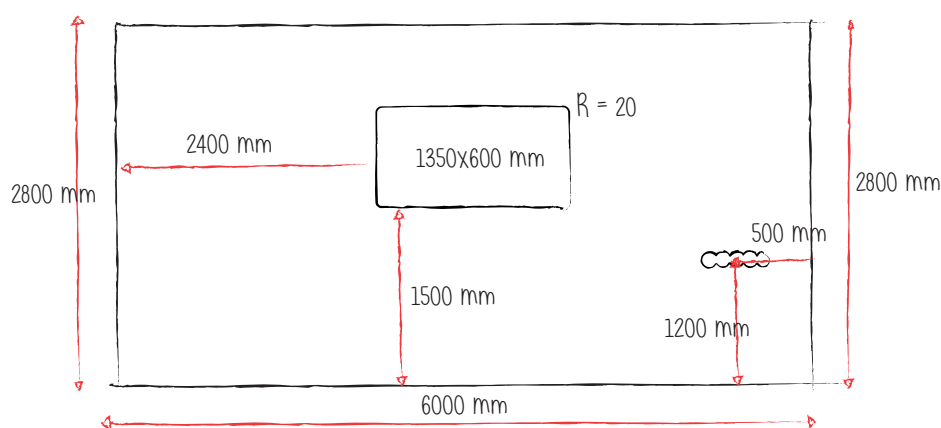
- Distance side of whiteboard wall – centre/edge of cut-out
- Distance bottom/top of whiteboard wall – centre/edge of cut-out
- Dimensions of the cut-out: height x width / diameter
- The radius of any rounded corners
- Cut-out for display: the actual display must be measured (do not rely on the specifications/ drawings provided by the supplier). The radius of the corners is important here (see page 2).

4. The wall must be smooth (no bumps or dents)

To be able to mount the whiteboard wall correctly, the wall needs to be completely smooth. If this is not the case, we advise you to contact your dealer to try and find a solution. When in doubt, always contact your dealer.

In order to make everything as clear as possible for yourself and for us, we recommend that you make a drawing of the wall you want. This drawing must give all the dimensions correctly and clearly. If you send us a photo this will give us a good idea of the situation we're dealing with.

Below we give an example of what your drawing might look like.



Measuring up the whiteboard wall - cut-out display



Please use the drawing below to determine the radius of the display. Measure this carefully; the Chameleon panels are cut to the millimetre exactly.

